

Decorative Glueboard Insect Control

Please read these instructions carefully and store in a safe place for future reference.

UPLIGHTER[™]

As part of the **Insect-O-Cutor[®]** brand of insect control products, **Uplighter[™]** is a compact and highly effective decorative insect control unit for use within front of house applications. **Uplighter[™]** utilises a highly effective **Synergetic[®]** dual wavelength UV tube and is designed for use with a high specification **glupac[®]** glueboard.

CONTENTS OF PACKAGE

- 1 x Uplighter[™] flykiller
- 1 x Mains cable (Type X)
- 1 x **glupac[®]** pheromone impregnated glueboard
- 3 x Screws and wall plugs
- 1 x 15W 18" Synergetic[®] tube (fitted)

WARNING - THIS APPLIANCE MUST BE EARTHED (CLASS 1)

INSECT CONTROL PRODUCTS

Uplighter[™] utilises a high powered dual wavelength ultra violet tube to attract flying insects and retains the caught insects on a pheromone impregnated glueboard for inspection or hygienic disposal.

WARNING

Uplighter[™] is not to be used by children or persons with reduced physical, sensory or mental capabilities, or lack of experience and knowledge, unless they have been given supervision or instruction.

Children should be supervised to ensure they do not play with the appliance.

If the mains cable is damaged it must be replaced by a specialist mains cable available from P+L Systems Ltd or your supplier.

Not suitable for applications where potentially explosive environments may exist.

POSITIONING AND GUIDANCE FOR USE

THIS UNIT IS FOR INDOOR USE ONLY.

Uplighter[™] should ideally be fixed around two meters above the ground, preferably in the darkest place within the area to be protected. Do not position the unit close to windows, skylights or other sources of light, or where it may be obscured by furniture, doors or other obstacles. Ideally, **Uplighter[™]** should be visible from every part of the area to be protected.

Uplighter[™] should ideally be in operation for 24 hours a day, ensuring your premises are kept free of flying insects. Insects are most attracted to **Uplighter[™]** at night when there is no competition from daylight or other light sources.

GUARANTEE

Uplighter[™] has a five year guarantee and if maintained as recommended in these instructions should continue to work for many years.* Use of non-approved consumables may invalidate the guarantee. Ensure genuine **glupac[®]** glueboards are used in conjunction with this product.

*Excludes tube, glueboard and starter. Does not cover breakdown due to misuse, incorrect operation or use in an incorrect application.

INSTALLATION

INSTALLATION SHOULD BE CARRIED OUT BY SERVICE PERSONNEL ONLY.

Uplighter[™] should be mounted as shown in the mounting options section of this document, using the supplied wall mounting plugs and screws, making sure correct wall plugs are used for specialist mounting materials, such as plasterboard.

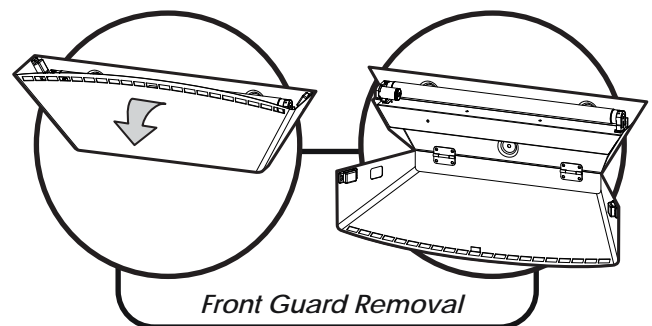
To install **Uplighter[™]**, drill two fixing holes at the appropriate distance as described below, before inserting the wall plugs then inserting the fixing screws. To firmly secure **Uplighter[™]** into position, swing down the front guard, then mark the location of the third fixing hole onto the mounting surface. Remove **Uplighter[™]**, then drill the final fixing hole and insert the wall plug. Finally, replace **Uplighter[™]** onto the two fixing screws through the keyhole slots, before securing in position by screwing through the round fixing hole. Swing the front guard back into position.

Once installed in position, fit the **glupac[®]** glueboard in position as described in the glueboard replacement section of this document. Use the removable mains lead and plug to connect the **Uplighter[™]** to an appropriate power supply.

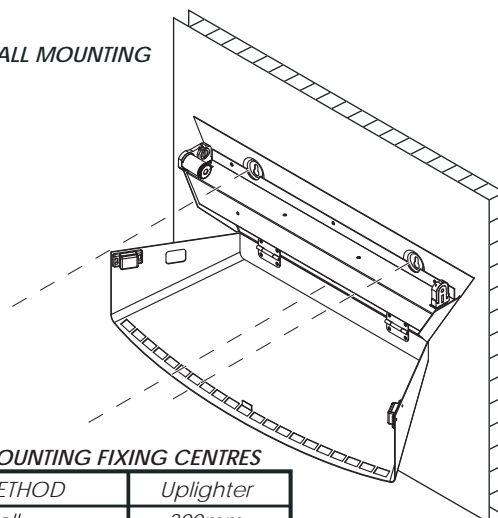
CLEANING

CLEANING SHOULD BE CARRIED OUT BY SERVICE PERSONNEL ONLY, AFTER ENSURING THAT THE UNIT IS DISCONNECTED FROM THE MAINS SUPPLY.

It is recommended that cleaning is carried out regularly when the glueboard is replaced. Once the glueboard is removed, the unit should be thoroughly wiped down with a damp cloth, removing any build up of dirt. Ensure the unit is completely dry before reconnecting it to the power supply.



WALL MOUNTING



INSECT-O-CUTOR®

GLUEBOARD REPLACEMENT

GLUEBOARD REPLACEMENT SHOULD BE CARRIED OUT BY SERVICE PERSONNEL ONLY, AFTER ENSURING THAT THE UNIT IS DISCONNECTED FROM THE MAINS SUPPLY.

The glueboard should be replaced every month with a genuine glupac® glueboard. Use of non-approved glueboards may invalidate your guarantee.

To replace the glueboard...

1. Remove the used glupac® glueboard by simply sliding it out of the top of the front guard and either retain for insect evaluation or dispose of it hygienically.
2. Remove the protective release paper from the new glupac® glueboard.
3. Slowly slide the new glueboard into position with the adhesive side facing the tube.

Always ensure the selected genuine glupac® glueboards are compatible with your unit, available from your pest control operator or P+L Systems Ltd.

TUBE REPLACEMENT

TUBE REPLACEMENT SHOULD BE CARRIED OUT BY SERVICE PERSONNEL ONLY, AFTER ENSURING THAT THE UNIT IS DISCONNECTED FROM THE MAINS SUPPLY.

To ensure the efficiency of **Uplighter™** in catching flying insects, the UV tube should be replaced annually. After twelve months the phosphor coating that emits the correct wavelength of UV light has burnt away and the UV output is diminished substantially.

To replace the UV tube...

1. Rotate the tube through 90 degrees.
2. Gently pull the tube away from the unit.
3. Dispose of the used UV tube in conjunction with local WEEE regulations.

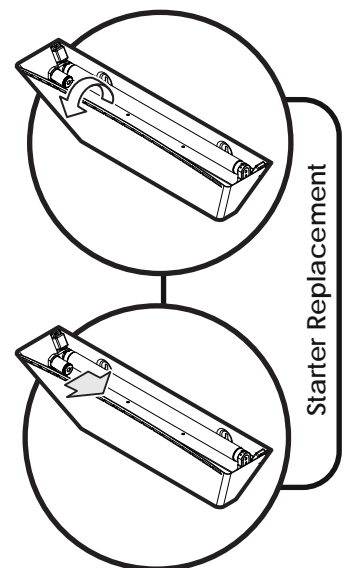
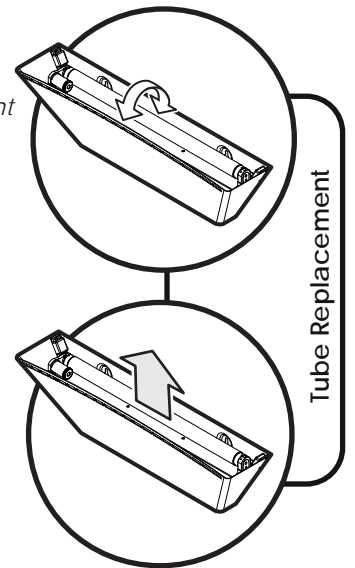
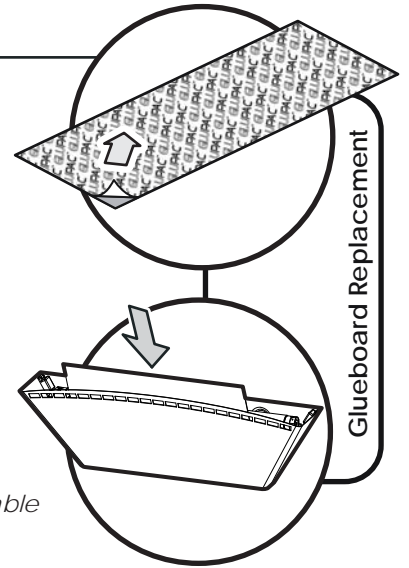
STARTER REPLACEMENT

BEFORE REPLACING THE STARTER, ALWAYS ENSURE THAT THE UNIT IS DISCONNECTED FROM THE MAINS SUPPLY.

The starter provides an extra spark to initially light the UV tube. Starters wear out and should be replaced at the same intervals as the UV tube.

To replace the starter...

1. Rotate the starter anti-clockwise.
2. Pull the starter free from the unit.
3. Insert the replacement starter and reverse steps one and two.



SPECIFICATION / REPLACEMENT PARTS

Unit	Uplighter
Voltage	230V ~ 50Hz
Dimensions(mm)	530 X 190 X 153
Coverage	30 Sq. Metres
Weight	2.9 Kg
Light Output	15W
Tube	1 x TGX15-18
Starter	i154
Glueboards	6171 (Black)